



Peterson Europe

Vehicle lighting solutions

by design, by technology, by quality

EXCEPTIONAL QUALITY FROM A
BRAND YOU CAN TRUST



Oval side marker, front and rear position lights with integral reflex reflector

May be mounted horizontally or vertically

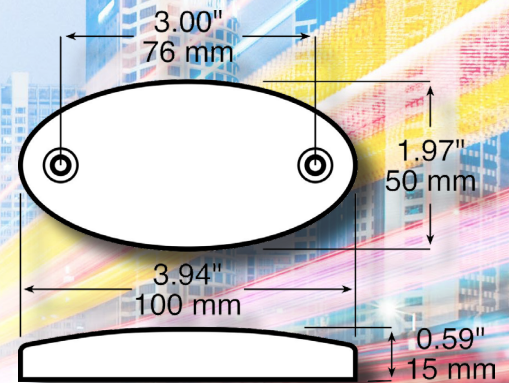
Dual voltage 12/24V

Certified to ECE Regs 3 and 91, amber

Certified to ECE Regs 3 and 7, white and red

Optional mounting accessories available

Sealed design, IP67 rated



Part numbers

PM-1200A	Side marker, amber
PM-1200C	Front outline marker, white
PM-1200R	Rear outline maker, red
PM-B1200-09V	Vertical bracket
PM-B1200-09H	Horizontal bracket
PM-B1200-09X	Chrome bezel



Shown with optional mounting accessories - lights sold separately

PM-1200 series
LED outline & side marker lights





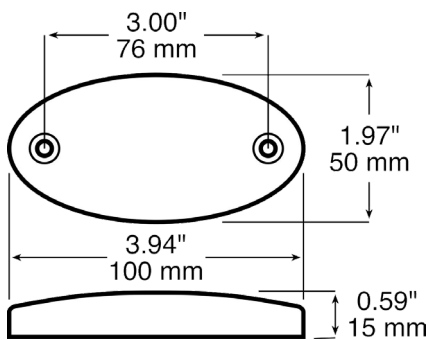
DATA SHEET

PM-1200 Series

LED outline & side markers



Images & Dimensions



PM-1200 mounting accessories



PM-B1200-09V



PM-B1200-09H

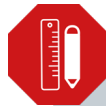


PM-B1200-09X

Lights sold separately

Part numbers

PM-1200A	Side marker, amber
PM-1200C	Front outline marker, white
PM-1200R	Rear outline marker, red
PM-B1200-09V	Vertical bracket
PM-B1200-09H	Horizontal bracket
PM-B1200-09X	Chrome bezel (installs behind 1200 series light when mounting to flat surfaces)



Specifications - PM-1200A side marker light

Functions:	Side marker light with integral reflex reflector
LEDs:	3 diodes
Certifications:	ECE Reg 3 IA E9 02.1008 ECE Reg 91 SM1 E9 00.1008
Voltage:	Multi-voltage 9-32Vdc
IP rating:	IP67
Operating temperature:	-30°C to + 50°C
Mounting:	Surface mounts on any flat surface May be mounted horizontally or vertically Supplied with closed-cell foam mounting gasket Optional mounting accessories available
Cables:	300mm long sheathed cable
Power rating:	0.6W @ 12V / 1.3W @ 24V
Current draw:	0.06A @ 12V / 0.06A @ 24V
Reverse polarity protection:	Yes
Warranty:	3 years



Specifications - PM-1200C & PM-1200R outline marker

Functions:	Front & rear outline marker lights with integral reflex reflector
LEDs:	3 diodes
Certifications:	PM-1200C ECE Reg 3 IA E9 02.1189 ECE Reg 7 R1 E9 02.1189 PM-1200R ECE Reg 3 IA E9 02.1108 ECE Reg 7 A E9 02.1108
Voltage:	Multi-voltage 9-32Vdc
IP rating:	IP67
Operating temperature:	-30°C to + 50°C
Mounting:	Surface mounts on any flat surface May be mounted horizontally or vertically Supplied with closed-cell foam mounting gasket Optional mounting accessories available
Cables:	300mm long sheathed cable
Power rating:	PM-1200C 0.3W @ 12V / 0.6W @ 24V PM-1200R 0.5W @ 12V / 1.1W @ 24V
Current draw:	PM-1200C 0.02A @ 12V / 0.02A @ 24V PM-1200R 0.05A @ 12V / 0.05A @ 24V
Reverse polarity protection:	Yes
Warranty:	3 years



Materials

Base:	PMMA-HI
Lens:	PMMA-HI