

DATA SHEET



PM-1207R-W-MV-RC

LED outline front/rear position light



Images

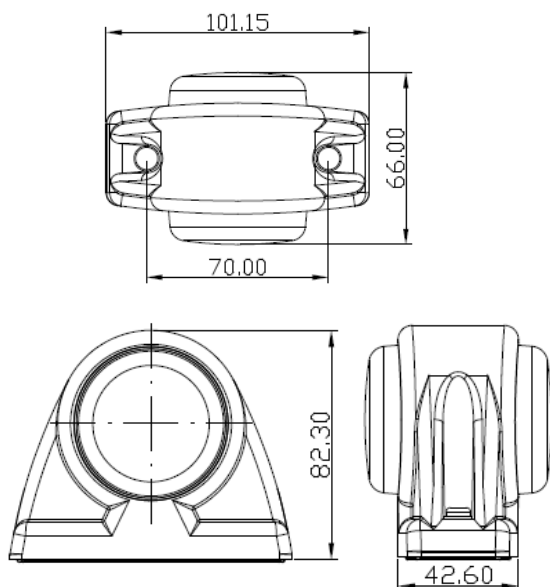


Specifications

Functions:	LED outline front/rear position light
LEDs:	Front marker - 3 diodes Rear marker - 3 diodes
Certifications:	ECE Reg 7: 02 A/R1 E4 7895
Voltage:	Multi-voltage: 9-32V operating range
IP rating:	IP67
Operating temperature:	-30°C to + 50°C
Mounting:	Surface mounts with screws
Wiring:	210mm long cable with partially stripped wires
Power rating:	0.54W @ 13.5V / 1.08W @ 28V
Current draw:	0.05A @ 13.5V / 0.05A @ 28V
Reverse polarity protection:	Yes
Warranty:	3 years



Dimensions



Materials

Lens:	PMMA
Housing:	EPDM

Part number

PM-1207R-W-MV-RC	LED outline front/rear position light
------------------	---------------------------------------

+44 (0) 1296 340045

sales@peterson europe.co.uk
sales@peterson europe.eu

peterson europe.com
peterson europe.eu

