

DATA SHEET

PM-1223R-4

LED position & stop light

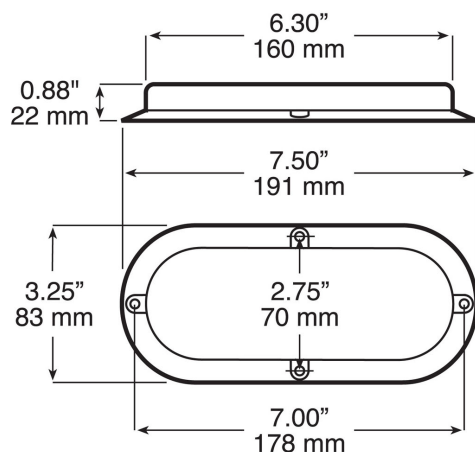


Images



Shown with B423-11 chrome bezel installed; available separately

Dimensions



Part number

PM-1223R-4	Position & stop light
PM-B423-11	Chrome bezel

Specifications

Functions:	LED position & stop light
LEDs:	11 x diodes
Lens colour:	Red
Certifications:	ECE Reg 7 for mounting in the orientation shown
Dimensions:	191mm x 83mm x 22mm
Voltage:	Dual voltage 12/24V
Operating range:	9-32Vdc
IP rating:	IP67
Operating temperature:	-30°C to +50°C
Mounting:	Surface mounts Optional chrome bezel available: PM-B423-11
Wiring:	200mm cable terminated with partially-stripped wires Black: Position Red: Stop White: Ground
Power rating:	Position: 0.7W @ 12V / 0.7W @ 24V Stop: 2.0W @ 12V / 2.0W @ 24V
Average current draw:	Position: 0.04A @ 12V / 0.02A @ 24V Stop: 0.13A @ 12V / 0.17A @ 24V
Reverse polarity protection:	Yes
Warranty:	3 years

Materials

Lens:	PMMA-HI
Base:	ABS