

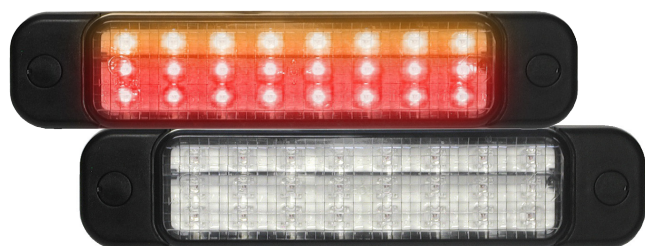
DATA SHEET

PM-1291A-R

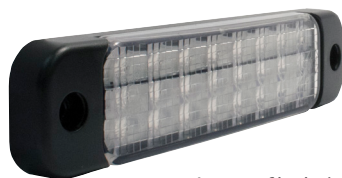
Combined LED stop, tail & direction indicator



Images

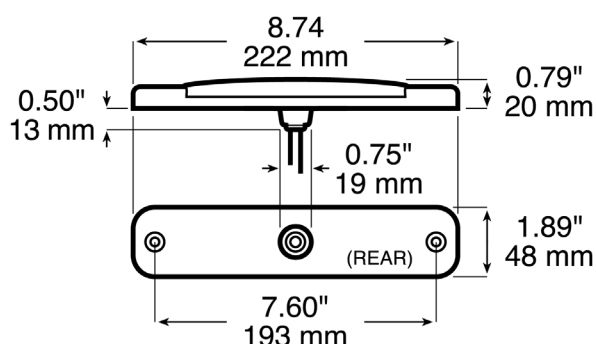


Lens appears clear when unlit



Low profile design

Dimensions



Specifications

Functions:	Combined LED stop, tail & direction indicator Low-profile
LEDs:	24 LEDs: 8 diode single-row indicator function 16 diode double-row stop & tail functions
Certifications:	ECE Reg 6 and 7 for both vertical & horizontal mounting
Voltage:	12/24V
IP rating:	IP67
Operating temperature:	-30°C to +50°C
Mounting:	Surface mounts
Wiring:	Hard-wired terminals potted in polyurethane 2 metre long cable: Red: stop Brown: tail Yellow: direction indicator White: ground
Current draw:	Stop: 0.27A @ 12V / 0.15A @ 24V Tail: 0.03A @ 12V / 0.03A @ 24V Indicator: 0.22A @ 12V / 0.12A @ 24V
Reverse polarity protection:	Yes
Warranty:	3 years

Materials

Lens:	PMMA-HI
Housing:	ABS

Part number

PM-1291A-R	Combination LED stop, tail & direction indicator
------------	--