

DATA SHEET

PM-2219 LED combination lights

Stop/tail/ indicator light & fog/reverse light

Stud mount



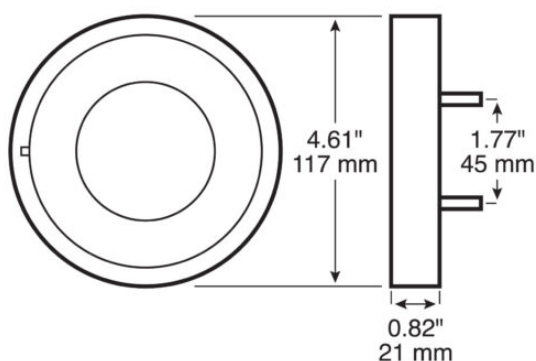
Images



Specifications: stop / tail / indicator

Functions:	LED combination rear stop / tail / indicator light
LEDs:	12 x LEDs for stop/tail light 6 x LEDs for indicator light
Certifications:	ECE Reg 10: E6 10R05/01 1134 00 ECE Reg 6: E9 6R01/29 23125 00 (indicator) ECE Reg 7: E9 7R02/27 23125 00 (stop/tail)
Voltage:	Multivoltage 9-32Vdc
IP rating:	IP67
Operating temperature:	-30°C to +50°C
Mounting:	Stud mount - 45mm hole centres
Cable & wiring:	0.3m long sheathed cable White = ground Red = stop Brown = tail Green/yellow = indicator
Average current draw:	Stop: 0.158A @ 12V / 0.096A @ 24V Tail: 0.023A @ 12V / 0.021A @ 24V Indicator: 0.070A @ 12V / 0.046A @ 24V
Warranty:	3 years

Dimensions



Materials

Lens:	PMMA-HI
Base:	ABS

Specifications: fog / reverse

Functions:	LED combination fog / reverse light
LEDs:	15 x LEDs for fog light 16 x LEDs for reverse light
Certifications:	ECE Reg 10: E6 10R05/01 1135 00 ECE Reg 38: E9 38R00/19 22161 00 (fog) ECE Reg 23: E9 23R00/22 22161 00 (reverse)
Voltage:	Multivoltage 9-32Vdc
IP rating:	IP67
Operating temperature:	-30°C to +50°C
Mounting:	Stud mount - 45mm hole centres
Cable & wiring:	0.3m long sheathed cable White = ground Blue = fog Yellow/black = reverse
Average current draw:	Fog: 0.275A @ 12V / 0.154A @ 24V Reverse: 0.175A @ 12V / 0.096A @ 24V
Warranty:	3 years

Part numbers

PM-2219A-R	LED Combo stop/tail/indicator - stud mount
PM-2219F-C	LED Combo fog/reverse - stud mount