



Peterson Europe

Vehicle lighting solutions

by design, by technology, by quality

EXCEPTIONAL QUALITY FROM A
BRAND YOU CAN TRUST



Improved lens design

Enhanced brightness and wider viewing angle

Double-row indicator function

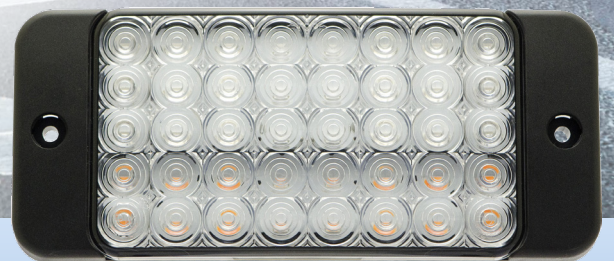
Triple-row rear position & stop functions

ECE certified to ECE Regs 6 & 7 for both horizontal and vertical mounting

Certified to ECE Reg 10

Dual voltage 12/24 volt

Operating range: 9-32Vdc



PM-2290A-R

Combination LED stop, tail & direction indicator



DATA SHEET

PM-2290A-R

Combined LED stop, tail & direction indicator

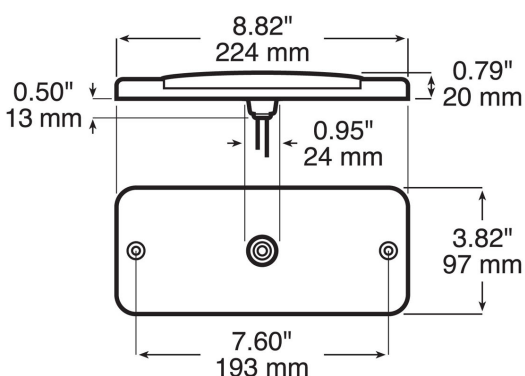


Images



Lens appears clear when unlit

Dimensions



Specifications

Functions:	Combined LED stop, tail & direction indicator Low-profile
LEDs:	40 LEDs: 16 diode double-row indicator function 24 diode triple-row stop & tail functions
Certifications:	ECE Reg 6 and 7 for both vertical & horizontal mounting: ECE R6: E9 6R01 29 22663 ECE R7: E9 7R02 27 22663
Voltage:	12/24V
IP rating:	IP67
Operating temperature:	-30°C to +50°C
Mounting:	Surface mounts
Wiring:	Hard-wired terminals potted in polyurethane 2 metre long cable: Red: stop Brown: tail Yellow: direction indicator White: ground
Power rating:	Stop: 1.90W @ 12V / 2.35W @ 24V Tail: 0.25W @ 12V / 0.48W @ 24V Indicator: 1.68W @ 12V / 1.90W @ 24V
Current draw:	Stop: 0.14A @ 13.5V / 0.08A @ 28V Tail: 0.02A @ 13.5V / 0.02A @ 28V Indicator: 0.12A @ 13.5V / 0.07A @ 28V
Reverse polarity protection:	Yes
Warranty:	3 years

Part number

PM-2290A-R	Combination LED stop, tail & direction indicator
------------	--

Materials

Lens:	PMMA-HI
Housing:	ABS