

# DATA SHEET

PM-2290A-R

Combined LED stop, tail & direction indicator

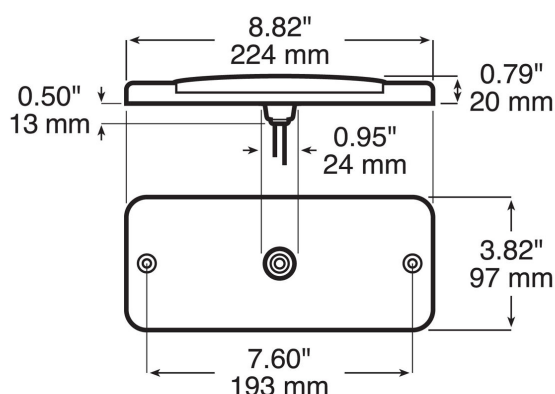


## Images



Lens appears clear when unlit

## Dimensions



## Part number

PM-2290A-R	Combination LED stop, tail & direction indicator
------------	--

## Specifications

<b>Functions:</b>	Combined LED stop, tail & direction indicator Low-profile
<b>LEDs:</b>	40 LEDs: 16 diode double-row indicator function 24 diode triple-row stop & tail functions
<b>Certifications:</b>	ECE Reg 6 and 7 for both vertical & horizontal mounting: ECE R6: E9 6R01 29 22663 ECE R7: E9 7R02 27 22663
<b>Voltage:</b>	12/24V
<b>IP rating:</b>	IP67
<b>Operating temperature:</b>	-30°C to +50°C
<b>Mounting:</b>	Surface mounts
<b>Wiring:</b>	Hard-wired terminals potted in polyurethane 2 metre long cable: Red: stop Brown: tail Yellow: direction indicator White: ground
<b>Power rating:</b>	Stop: 1.90W @ 12V / 2.35W @ 24V Tail: 0.25W @ 12V / 0.48W @ 24V Indicator: 1.68W @ 12V / 1.90W @ 24V
<b>Current draw:</b>	Stop: 0.14A @ 13.5V / 0.08A @ 28V Tail: 0.02A @ 13.5V / 0.02A @ 28V Indicator: 0.12A @ 13.5V / 0.07A @ 28V
<b>Reverse polarity protection:</b>	Yes
<b>Warranty:</b>	3 years

## Materials

<b>Lens:</b>	PMMA-HI
<b>Housing:</b>	ABS