

DATA SHEET

PM-715A

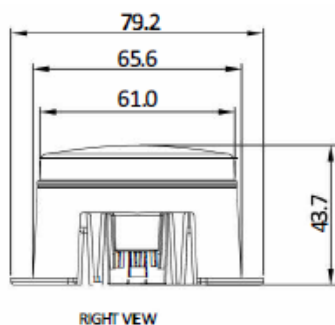
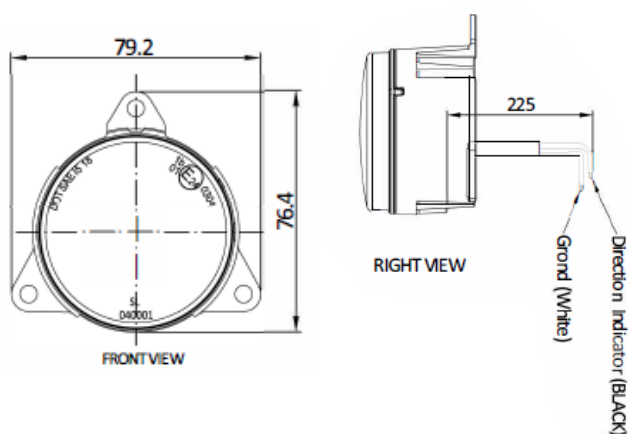
60mm Direction Indicator



Images



Dimensions



Specifications

Functions:	60mm direction indicator DOT & ECE compliant
LEDs:	6 x amber LEDs
Output:	450 lumens
Certifications:	ECE Reg 10: E6 10R06/00 1385 00 ECE Reg 6: E24 6R01/28 0304 00
Dimensions:	Ø 61 x 44mm
Voltage:	Dual voltage 12/24 V
Vibration resistance:	2G
IP rating:	IP67
Operating temperature:	-30°C to +50°C
Mounting:	3-point surface mount fixings
Wiring:	300mm cable terminated in partially-stripped wires Black = direction indicator White = ground
Power rating:	4.8W @ 13.5V 5.3W @ 28.0V
Current draw:	0.36A @ 13.5V 0.19A @ 28.0V
Surge protected:	Yes
Under & over voltage protected:	Yes
Reverse polarity protection:	Yes
Warranty:	3 years

Materials

Lens:	Polycarbonate, hard coated with integrated optics
Housing:	Die cast aluminium, black E-coat finish

Part number

PM-715A	60mm direction indicator
---------	--------------------------