



Peterson Europe
Vehicle lighting solutions
by design, by technology, by quality

EXCEPTIONAL QUALITY FROM A
BRAND YOU CAN TRUST



All-purpose, battery-powered portable LED light

Magnetic mounting

300 - 400 hours run time

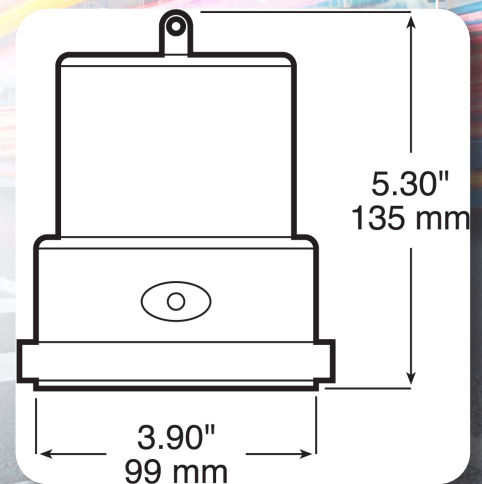
60 flashes per minute

3V - runs on 2 "D" cell batteries

Carry strap included

Optional photocell mode

Available in: Amber PM-740A
 Red PM-740R



PM-740 range

Battery-operated, magnetic mount LED safety beacon

