

# DATA SHEET

PM-851F-C

LED fog/reverse light module



## Images

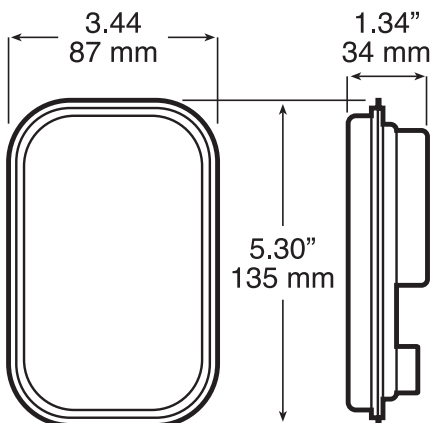


Clear lens  
when unlit

## Specifications

<b>Functions:</b>	LED fog/reverse light module
<b>LEDs:</b>	18 x LEDs (fog) 26 x LEDs from 13 light sources (reverse)
<b>Lens colour:</b>	Clear
<b>Certifications:</b>	EMC R10: E6 10R05/01 1056 00 ECE R23: E6 23R00/22 5011 00ECE - reverse ECE R38: E6 38R00/19 5011 00 - fog Certified for all included functions when mounted horizontally or vertically
<b>Dimensions:</b>	87 x 135 x 34mm
<b>Voltage:</b>	Dual voltage 12/24V
<b>IP rating:</b>	IP67
<b>Operating temperature:</b>	-30°C to +50°C
<b>Mounting:</b>	Surface mounts using B850 series bracket or flush mounts using B850-18 grommet
<b>Wiring:</b>	300mm cable terminated in partially-stripped wires
<b>Current draw:</b>	Fog: 0.27A @ 12V / 0.12A @ 24V Reverse: 0.31A @ 12V / 0.15A @ 24V
<b>Reverse polarity protection:</b>	Yes
<b>Warranty:</b>	3 years

## Dimensions



## Materials

<b>Lens:</b>	PMMA-HI
<b>Housing:</b>	ABS

## Part number

PM-851F-C	LED fog/reverse light module
-----------	------------------------------

+44 (0) 1296 340045

sales@peterson europe.co.uk  
sales@peterson europe.eu

peterson europe.com  
peterson europe.eu

