

DATA SHEET

PM-851.S1001-RC

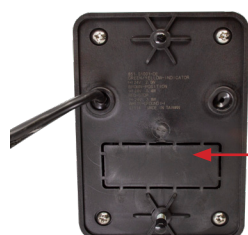
Rear combination LED stop/position/indicator light



Images

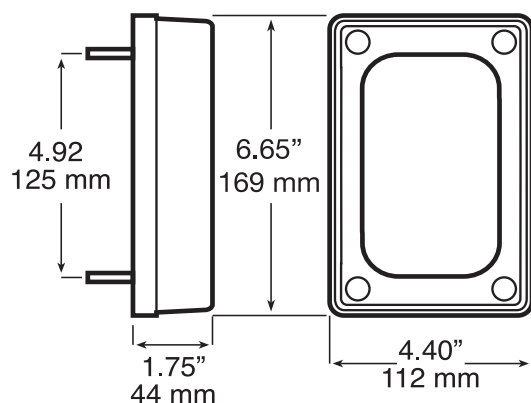


Clear lens when unlit



Rear of light,
no load sensor

Dimensions



Specifications

Functions:	Rear combination LED stop/position/indicator light
LEDs:	14 diodes: 7 diodes stop & position functions 7 diodes indicator function
Lens colour:	Clear
Certifications:	ECE certified for all included functions, when mounted horizontally or vertically ECE Reg 6 ECE Reg 7 ECE R10
Voltage:	Dual voltage 12/24V
IP rating:	IP67
Operating temperature:	-30°C to +50°C
Mounting:	Surface mounts with 2 studs ECE certified for both horizontal & vertical mounting
Wiring:	Hard-wired terminals potted in polyurethane 1 metre cable terminated in a 4-way AMP superseal connector Red: Stop Brown: Position Green/yellow: Indicator White: Ground
Average current draw:	Stop: 0.23A @ 12V / 0.12A @ 24V Position: 0.03A @ 12V / 0.02A @ 24V Indicator: 0.16A @ 12V / 0.08A @ 24V
Reverse polarity protection:	Yes
Warranty:	3 years

Materials

Lens:	PMMA-HI
Base:	ABS
Enclosure:	PA66 + GF30

Part number

PM-851.S1001-RC

Rear combination LED stop/position/indicator light

+44 (0) 1296 340045

sales@peterson europe.co.uk
sales@peterson europe.eu

peterson europe.com
peterson europe.eu

