

# DATA SHEET

PM-851.S1002-LS-RC

Rear combination LED stop/position/indicator light with load sensor



## Images

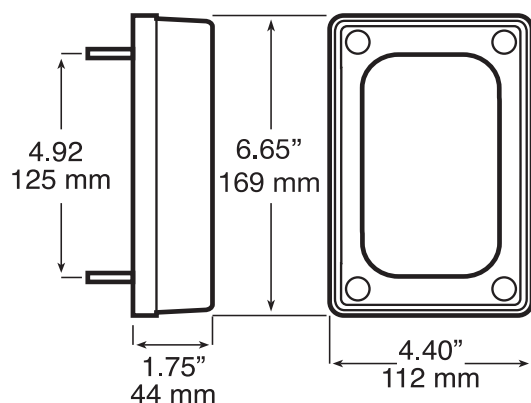


Clear lens when unlit



Rear of light showing the load sensor

## Dimensions



## Specifications

<b>Functions:</b>	Rear combination LED stop/position/indicator light with load sensor
<b>LEDs:</b>	14 diodes: 7 diodes stop & position functions 7 diodes indicator function
<b>Lens colour:</b>	Clear
<b>Certifications:</b>	ECE Reg 6 ECE Reg 7
<b>Voltage:</b>	24 volt
<b>IP rating:</b>	IP67
<b>Operating temperature:</b>	-30°C to +50°C
<b>Mounting:</b>	Surface mounts with 2 studs ECE certified for both horizontal & vertical mounting
<b>Wiring:</b>	Hard-wired terminals potted in polyurethane 3 metre cable terminated in a 4-way AMP superseal connector Red: Stop Brown: Position Green/yellow: Indicator White: Ground
<b>Average current draw:</b>	Stop: 0.12A @ 24V Position: 0.02A @ 24V Indicator: 1.0A @ 24V
<b>Reverse polarity protection:</b>	Yes
<b>Warranty:</b>	3 years

## Materials

<b>Lens:</b>	PMMA-HI
<b>Base:</b>	ABS
<b>Enclosure:</b>	PA66 + GF30

## Part number

PM-851.S1002-LC-RC Rear combination LED stop/position/indicator light with load sensor

+44 (0) 1296 340045

sales@peterson europe.co.uk  
sales@peterson europe.eu

peterson europe.com  
peterson europe.eu

