

DATA SHEET

PM-903-MV

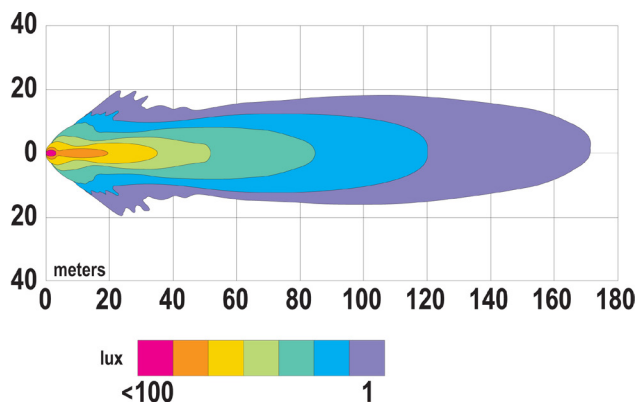
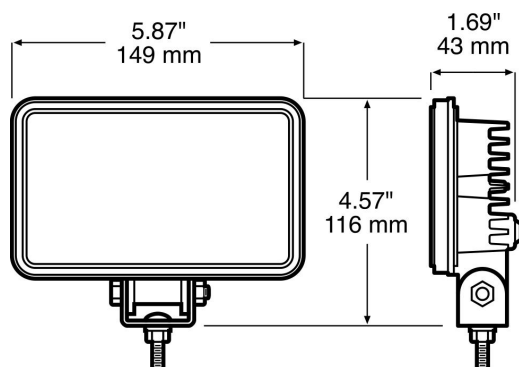
LED Work Light



Images



Dimensions



Specifications

Functions:	LED work light
LEDs:	8 x 3W super bright white diodes
Output:	2000 lumens
Colour temperature :	6845K
Light pattern:	Flood
Certifications:	ECE Reg 10: E6-10R-050862
Dimensions:	150 x 90mm rectangular light body
Voltage:	Multi-voltage: 9-32Vdc operating range
IP rating:	IP67
Operating temperature:	-40°C to +65°C
Wiring:	Sheathed 18AWG cable, 300mm long Black = power White = ground
Current draw:	2.5A @ 13.5Vdc / 1.23A @ 28Vdc
Reverse polarity protection:	Yes
Warranty:	3 years

Materials

Lens:	Polycarbonate
Housing:	Aluminium die cast, black matt E-coat finish
Bracket & mounting hardware:	Stainless steel

Part number

PM-903-MV LED work light, 8-diode