

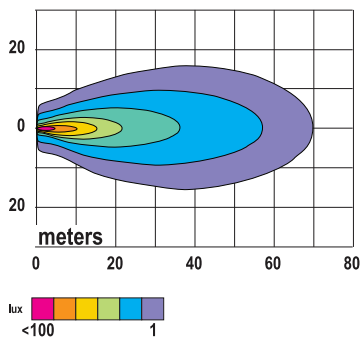
DATA SHEET

PM-904-MV

LED work light



Images

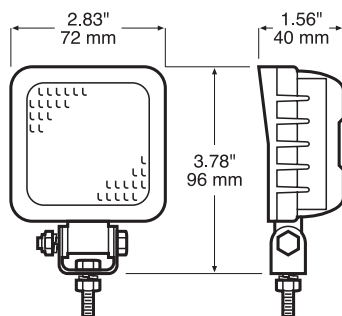


Specifications

Functions:	LED work light
LEDs:	4 x Great White® LEDs
Output:	700 lumens
Lens colour:	Clear
Light pattern:	Flood
Certifications:	EMC Reg 10: E91005/01 16538 00
Voltage range:	Multi-voltage 9-36Vdc
IP rating:	IP67
Operating temperature:	-40°C to +65°C
Wiring:	300mm cable with partially-stripped wires Black wire: power White wire: ground
Current draw:	0.98A @ 13.5Vdc / 0.43A @ 28Vdc
Reverse polarity protection:	Yes
Warranty:	3 years



Dimensions



Materials

Lens:	Polycarbonate
Housing:	Aluminium die-cast housing with black matt E-coat finish
Bracket & mounting hardware:	Stainless steel bracket & mounting hardware

Part number

PM-904-MV	LED work light
-----------	----------------