

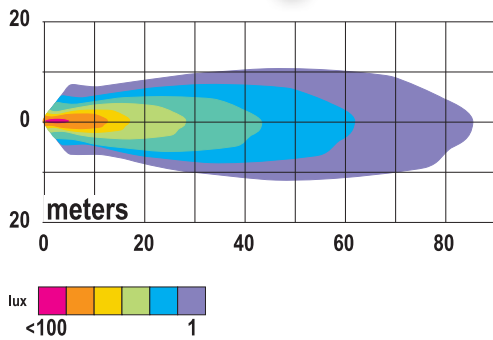
# DATA SHEET

PM-911-MV

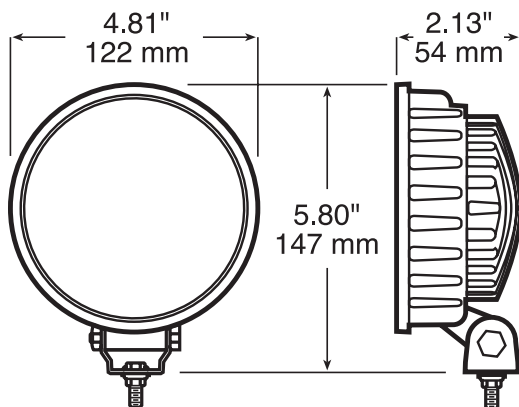
LED round work light



## Images



## Dimensions



## Specifications

Functions:	LED work light
LEDs:	6 x Great White® LEDs
Output:	1000 lumens
Lens colour:	Clear
Light pattern:	Flood
Certifications:	ECE Reg 10
Voltage range:	Multi-voltage 9-32Vdc
IP rating:	IP67
Operating temperature:	-40°C to +65°C
Wiring:	300mm cable with partially-stripped wires Black wire: power White wire: ground
Current draw:	1.65A @ 12.8V / 0.78A @ 28V
Reverse polarity protection:	Yes
Warranty:	3 years



## Materials

Lens:	Polycarbonate
Housing:	Aluminium die-cast housing with black matt E-coat finish
Bracket & mounting hardware:	Stainless steel bracket & mounting hardware

## Part number

PM-911-MV	LED work light
-----------	----------------