

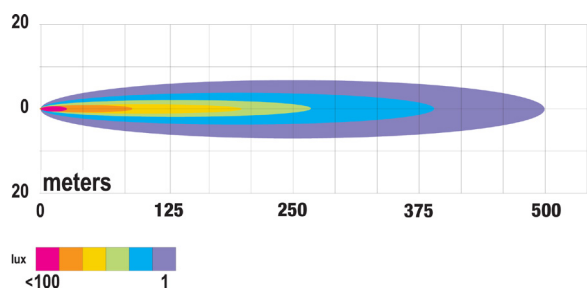
# DATA SHEET

PM-917-MV

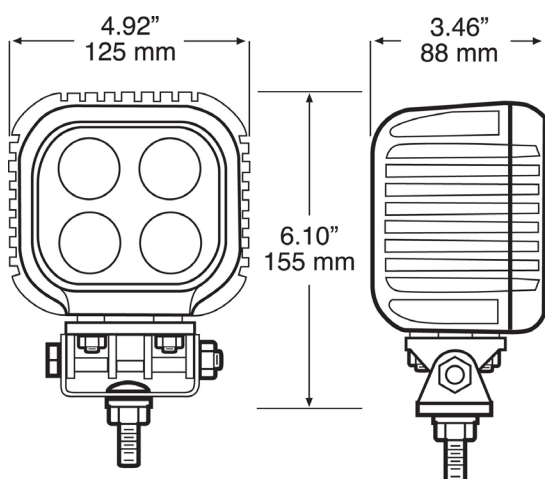
LED work light - heavy duty



## Images



## Dimensions



## Part number

PM-917-MV | LED work light - heavy duty

## Specifications

<b>Functions:</b>	LED work light - heavy duty specification Impact resistant glass lens Vibration-dampening mounting pads
<b>LEDs:</b>	4 x high-power Great White® diodes
<b>Output:</b>	2800 lumens
<b>Lens colour:</b>	Clear
<b>Colour temperature:</b>	6500k
<b>Light pattern:</b>	Intense spot pattern
<b>Certifications:</b>	CE certified to: EN55015 EN61547
<b>Dimensions:</b>	Ø 61 x 44mm
<b>Voltage:</b>	Multivoltage
<b>Operating range:</b>	9-40Vdc
<b>IP rating:</b>	IP68
<b>Operating temperature:</b>	-30°C to +50°C
<b>Mounting:</b>	Stud mounts
<b>Wiring:</b>	Stripped wire
<b>Average current draw:</b>	2.35A @ 12V
<b>Reverse polarity protection:</b>	Yes
<b>Warranty:</b>	3 years

## Materials

<b>Lens:</b>	Impact-resistant glass lens
<b>Housing:</b>	Die-cast aluminium body with matte black finish
<b>Mounting hardware:</b>	Stainless steel