

DATA SHEET

PM-V316 series

Magnetic, battery-operated LED warning light



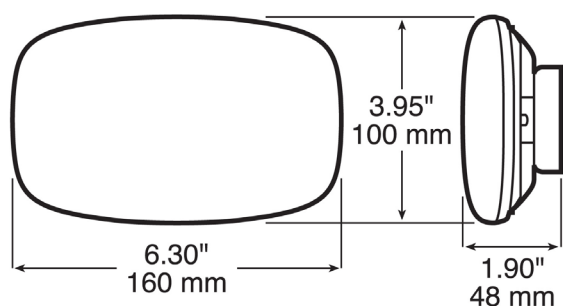
Images



Specifications

- Functions:** Magnetic, battery-operated portable LED warning light
- LEDs:** 18 very bright diodes
- Flash pattern:** Steady-on or 180 flashes per minute in flash mode
Operated by 3-way switch
- Dimensions:** 160mm x 100mm x 48mm
- Voltage:** 6 volts
- IP rating:** IP (sealed lens & base)
- Mounting:** Twin magnet mount
Also includes an integral self-standing rear frame
- Power:** Requires four AA batteries (not included)
Can flash for 36 hours or more on one set of alkaline batteries
- Warranty:** 3 years

Dimensions



Materials

- Lens:** Polycarbonate, hard coated with integrated optics
- Housing:** Die cast aluminium, black E-coat finish

Part numbers

PM-V316MA	Magnetic, battery-operated warning light - amber
PM-V316MR	Magnetic, battery-operated warning light - red

+44 (0) 1296 340045

sales@peterson europe.co.uk
sales@peterson europe.eu

peterson europe.com
peterson europe.eu

