



**Peterson Europe**

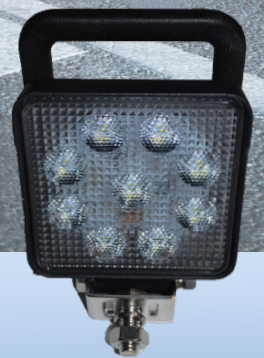
*Standing out from the crowd...  
by design, by technology, by quality*

**EXCEPTIONAL QUALITY FROM A  
BRAND YOU CAN TRUST**



- 1350 lumens measured output
- Integral Deutsch connector
- Optional handle and/or manual control switch
- Flood pattern
- Multi-voltage: 10-30Vdc
- 100 x 100mm square design
- Aluminium die cast housing, black E-coat finish
- Polycarbonate lens
- Stainless steel mounting
- Certified to ECE Reg 10
- IP69K rated

*Standard PM-910 work light without DT connector also available*



**PM-910 DT series**  
LED work light with integral Deutsch connector



# DATA SHEET

PM-910 DT series

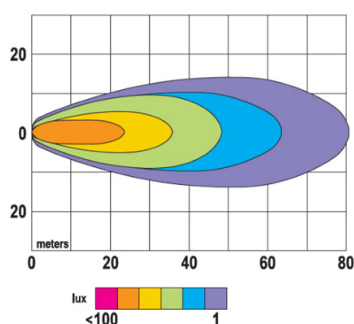
LED work light with integral Deutsch connector



## Images



Image shown with optional handle and manual control switch

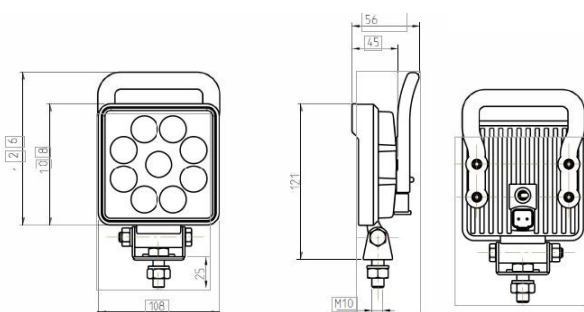


## Specifications

- Functions:** LED work light with Deutsch connector and optional handle and/or manual control switch
- LEDs:** 9 x high brightness white diodes
- Output:** 1350 lumens
- Light pattern:** Flood light pattern
- Certifications:** ECE Reg 10: E50-10R-050067
- Dimensions:** 100 x 100mm square design
- Voltage:** Multi-voltage
- Operating range:** 10-30Vdc
- IP rating:** IP69K
- Operating temperature:** -40°C to +65°C
- Mounting:** U-bracket with M10x25mm bolt, nut and washer
- Cables & Wiring:** Integral DT compatible receptacle  
Supplied with mating DT connector and 18 AWG cable, 50cm long (+/-5cm)  
Red wire = power  
Black wire = ground
- Current draw:** 1.2A @ 13.5V / 0.6A @ 28V
- Reverse polarity protection:** Yes
- Warranty:** 3 years



## Dimensions



Drawing shown with optional handle and manual control switch



## Materials

- Lens:** Polycarbonate
- Housing:** Die cast aluminium, black E-coat finish
- Handle:** Die cast
- Mounting:** Stainless steel

## Part numbers

PM-910-MV-DT	LED work light with integral DT connector
PM-910S-MV-DT	LED work light with integral DT connector and switch
PM-910SH-MV-DT	LED work light with integral DT connector, switch & handle

Standard PM-910-MV work light without DT connector also available