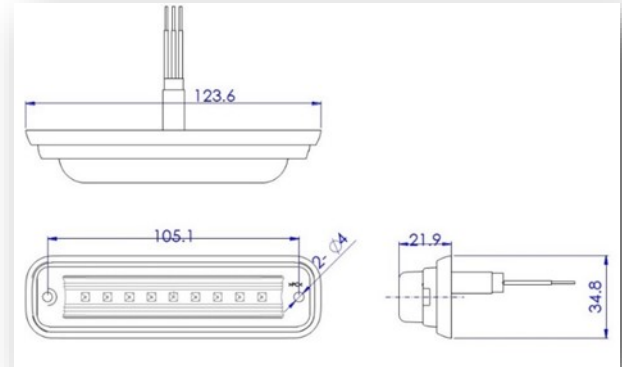


DATA SHEET



R65 directional warning light, amber, horizontal mount
SL-10421X



Features

- Certified to ECE R65 for horizontal mounting
- Double flash pattern
- Multivoltage 10-30Vdc
- Multiple units can be synchronised
- Reverse polarity protection
- Easy installation



Materials

- Lens: Polycarbonate
- Base: Aluminium
- Bezel: Polycarbonate
- Grommet: EPDM



Specifications

- Certified to ECE R65 for horizontal mounting:
E4 XA1-006662
- Certified to ECE R10: E4 10R-05 4151
9 x high power amber diodes
- IP67 ingress protection
- Power rating: 9W
- Average current draw: 0.64A @12.8Vdc /
0.32A @25.6Vdc
- Cable: 20cm 3-core cable 20AWG, partially
stripped wires
 - Red = power
 - Black = ground
 - Yellow = synchronising
- Operating temperature: -30°C to +50°C

Part Number

SL-10421X

R65 LED directional, amber, horizontal mount