



Peterson Europe
Vehicle lighting solutions
by design, by technology, by quality

sentinel
safety products

EXCEPTIONAL QUALITY FROM A
BRAND YOU CAN TRUST



Combined R65 flashing amber LED warning light with outer ECE marker/
position light

Space saving, dual function capability offers ease of installation and
simpler harness layout

Amber side marker and red or white position light variants

Multi-voltage 10-30Vdc

Certified to ECE R65 (amber), ECE R10 and ECE R91 (side-marker) and
ECE R7 (front/rear position light)

14 selectable flash patterns, multiple units can be synchronised

Optional flanges available in white and chrome

IP68 rated ingress protection



SL-107XX series

Combination R65 LED directional & marker light



DATA SHEET

SL-107XX Range

Combination R65 LED directional & marker light



Images



Specifications

Functions: Combined R65 flashing amber LED warning light, and outer ECE marker/position light
Space saving dual function capability offers ease of installation & simpler harness layout

LEDs: 6 high-power diodes

Variants: Amber side marker and red or white position light variants
Blue (ECE R65) and white colours available by special order

Certifications: ECE Reg 10-05
ECE Reg 65 (amber)
ECE Reg 91 (side marker)
ECE Reg 7 (front/rear/position light)

Voltage: Multivoltage 10-30Vdc

IP rating: IP68

Operating temperature: -30°C to +65°C

Mounting: Surface mount

Wiring: Co-extruded 4-core cable, 25cm long, insulated wires 20AWG
Red = LED directional light power
White = side marker/position light power
Black = ground
Yellow = synchronisation & flash patterns

Flash patterns & synchronisation: 14 selectable flash patterns
Multiple units can be synchronised to flash simultaneously or alternately

Power rating: Avg. power: 9W
Max. power: 18W

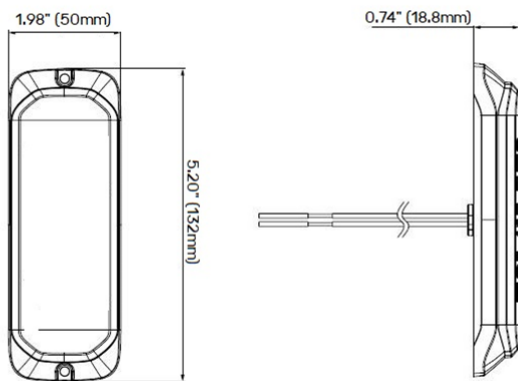
Current draw: Avg. current draw:
0.675A @ 12Vdc / 0.375A @ 24Vdc
Max. current draw:
1.35A @ 12Vdc / 0.75A @ 24Vdc

Recommended fuse: 2A

Reverse polarity protection: Yes

Warranty: 3 years

Dimensions



Part numbers

SL-10711	LED directional R65 amber + side marker light amber
SL-10721	LED directional R65 amber + rear position light red
SL-10722	LED directional red + rear position light red
SL-10741	LED directional R65 amber + front position light white
SL-10758	White bezel
SL-10759	Chrome bezel

Blue (ECE R65) and white colours available by special order

Materials

Lens: Polycarbonate

Housing: Aluminum base/housing, black E-coat finish